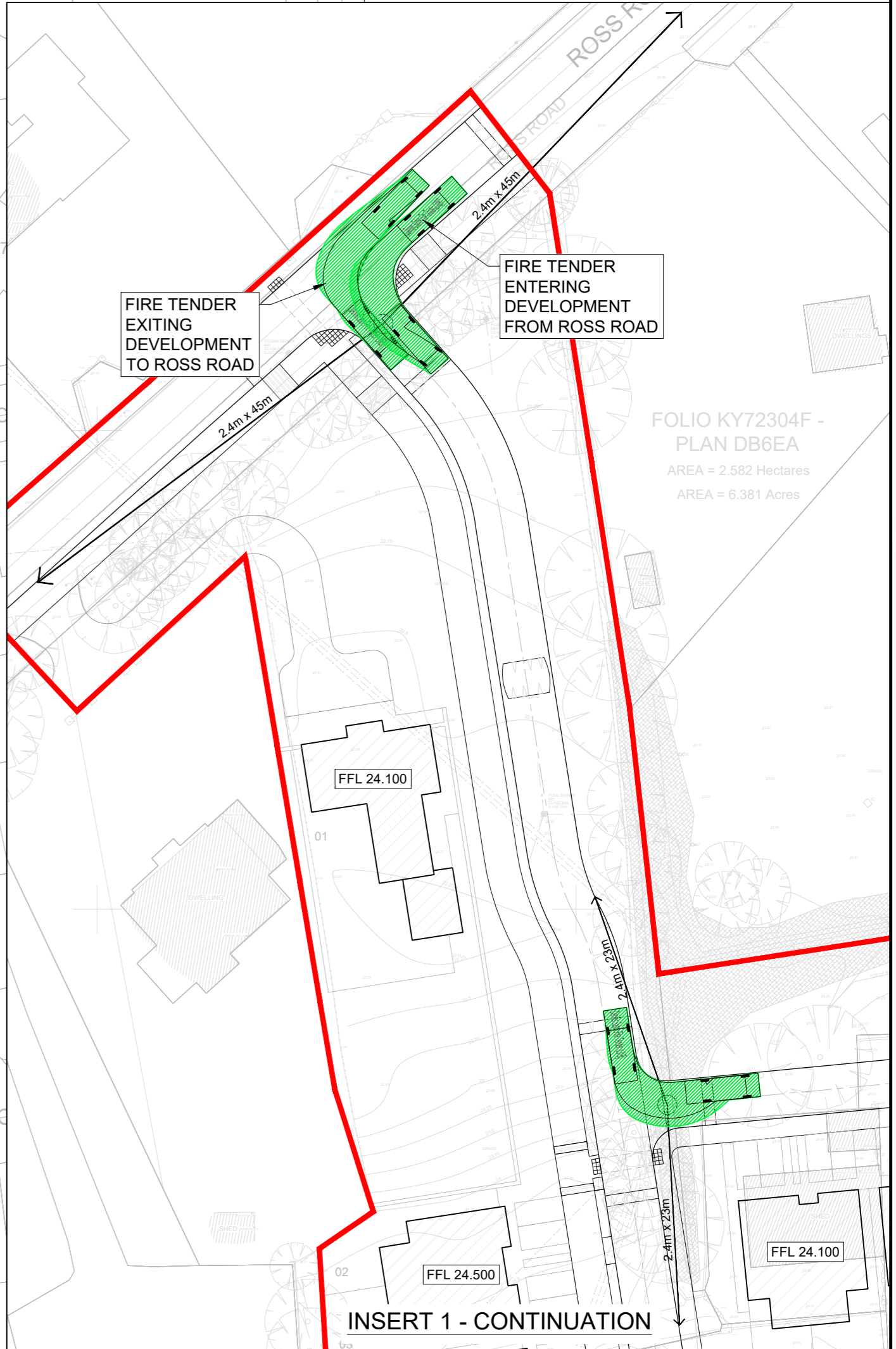
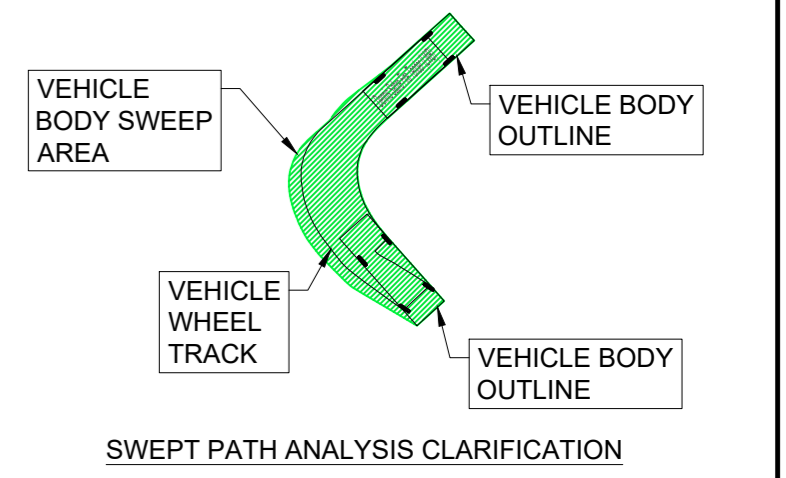
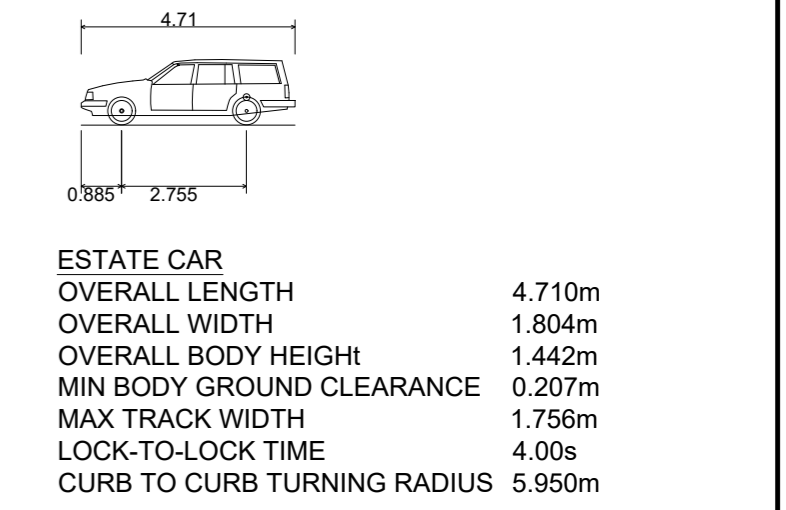
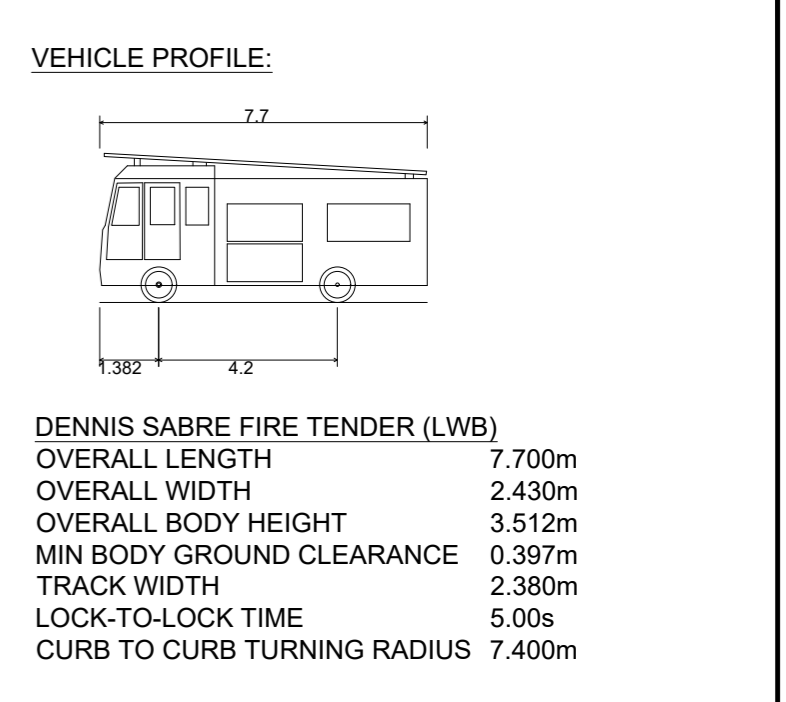
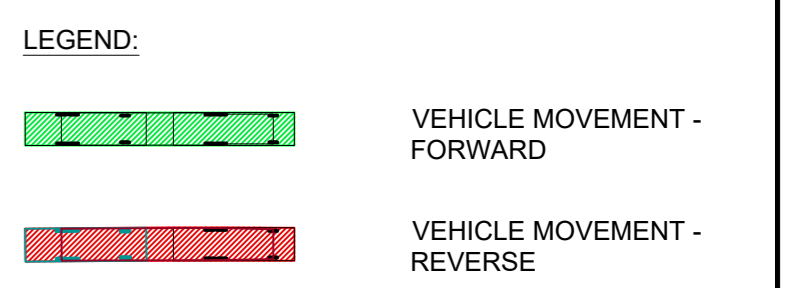


- GENERAL NOTES:**
1. ALL DIMENSIONS ARE IN METERS UNLESS NOTED OTHERWISE.
 2. ALL LEVELS ARE TO MALIN HEAD DATUM.
 3. ONLY WRITTEN DIMENSIONS SHALL BE USED. NO DIMENSIONS SHALL BE SCALED FROM THE DRAWINGS.
 4. CONTRACTOR TO CHECK ALL DIMENSIONS ON SITE.
 5. ALL COORDINATES ARE TO IRISH TRANSVERSE MERCATOR.
 6. ALL DRAWINGS ARE TO BE READ IN CONJUNCTION WITH THE PROJECT SPECIFICATIONS.
 7. COPYRIGHT OSL.



- GENERAL NOTES:**
1. ALL DIMENSIONS ARE IN METERS UNLESS NOTED OTHERWISE.
 2. ALL LEVELS ARE TO MALIN HEAD DATUM.
 3. ONLY WRITTEN DIMENSIONS SHALL BE USED. NO DIMENSIONS SHALL BE SCALED FROM THE DRAWINGS.
 4. CONTRACTOR TO CHECK ALL DIMENSIONS ON SITE.
 5. ALL COORDINATES ARE TO IRISH TRANSVERSE MERCATOR.
 6. ALL DRAWINGS ARE TO BE READ IN CONJUNCTION WITH THE PROJECT SPECIFICATIONS.
 7. COPYRIGHT OSL.

REV	DATE	DESCRIPTION	BY	CHKD	AUTH
P03	01.08.25	ISSUED FOR PLANNING	BJM	DB	DB
P02	09.04.25	ISSUED FOR SECTION 32B SUBMISSION	DV	BJM	DB
P01	28.03.25	ISSUED FOR INFORMATION	DV	BJM	DB

OSL-BUTLER
CONSULTING ENGINEERS

Civil, Structural & Project Engineering Services
Unit 38 Eastgate Drive, Little Island, Cork T45 Y049
Tel: +353 21 4297572

CLIENT: HOMELAND PROJECTS LTD.

PROJECT: LARGE-SCALE RESIDENTIAL DEVELOPMENT AT ROSS ROAD, KILLARNEY, CO. KERRY

PURPOSE: FOR PLANNING

TITLE: PROPOSED VEHICLE VISIBILITY AND MANOEUVERING SHEET 1

ORIGINAL SCALE: A1 - 1:500

ORIGINAL ISSUE DATE: 27.02.25

STATUS: S2

DRAWING NO: 24041-OSL-11-DR-C-1113

REV: P03

ORDNANCE SURVEY IRELAND LICENSE No. CYAL50364947 © TAILTE EIREANN - SURVEYING