

**GENERAL NOTES:**

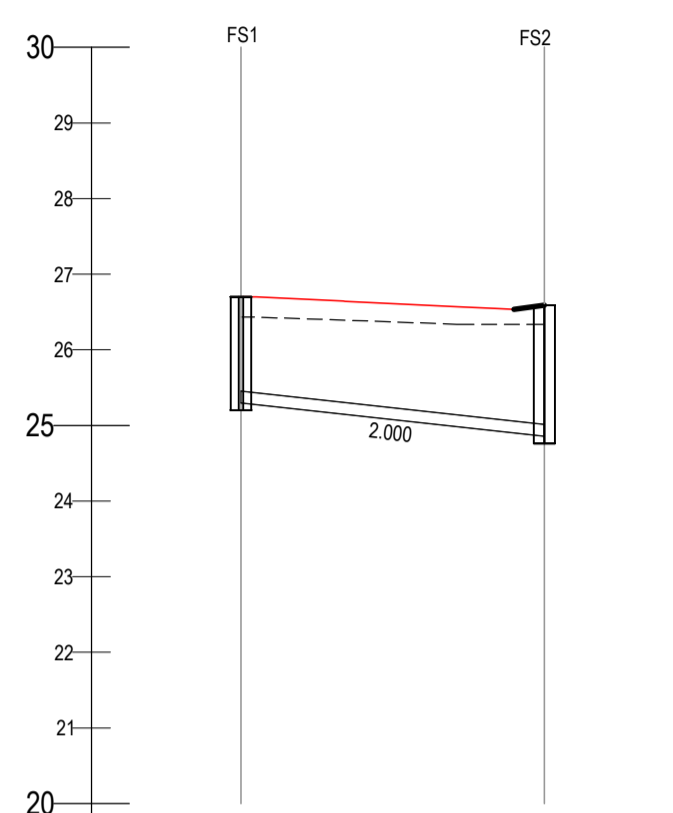
1. ALL DIMENSIONS ARE IN METERS UNLESS NOTED OTHERWISE.
2. ALL LEVELS ARE TO MALIN HEAD DATUM.
3. ONLY WRITTEN DIMENSIONS SHALL BE USED. NO DIMENSIONS SHALL BE SCALED FROM THE DRAWINGS.
4. CONTRACTOR TO CHECK ALL DIMENSIONS ON SITE.
5. ALL COORDINATES ARE TO IRISH TRANSVERSE MERCATOR
6. ALL DRAWINGS ARE TO BE READ IN CONJUNCTION WITH THE PROJECT SPECIFICATIONS.
7. COPYRIGHT OSL.

**LONGITUDINAL SECTION NOTES:**

1. FOR FOUL SEWER LAYOUT PLANS, REFER TO DRAWING 24041-OSL-11-DR-C-1130

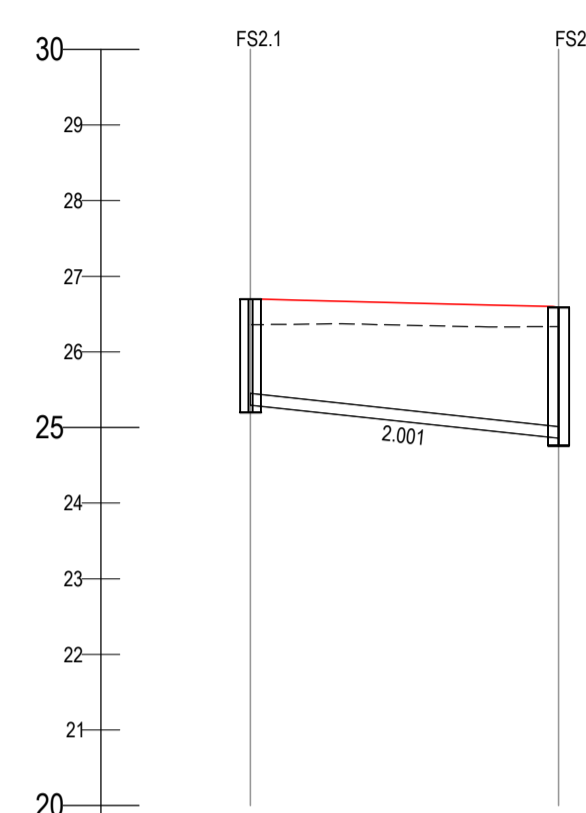
**LEGEND:**

- PROPOSED ROAD LEVEL
- - - - - EXISTING GROUND LEVEL



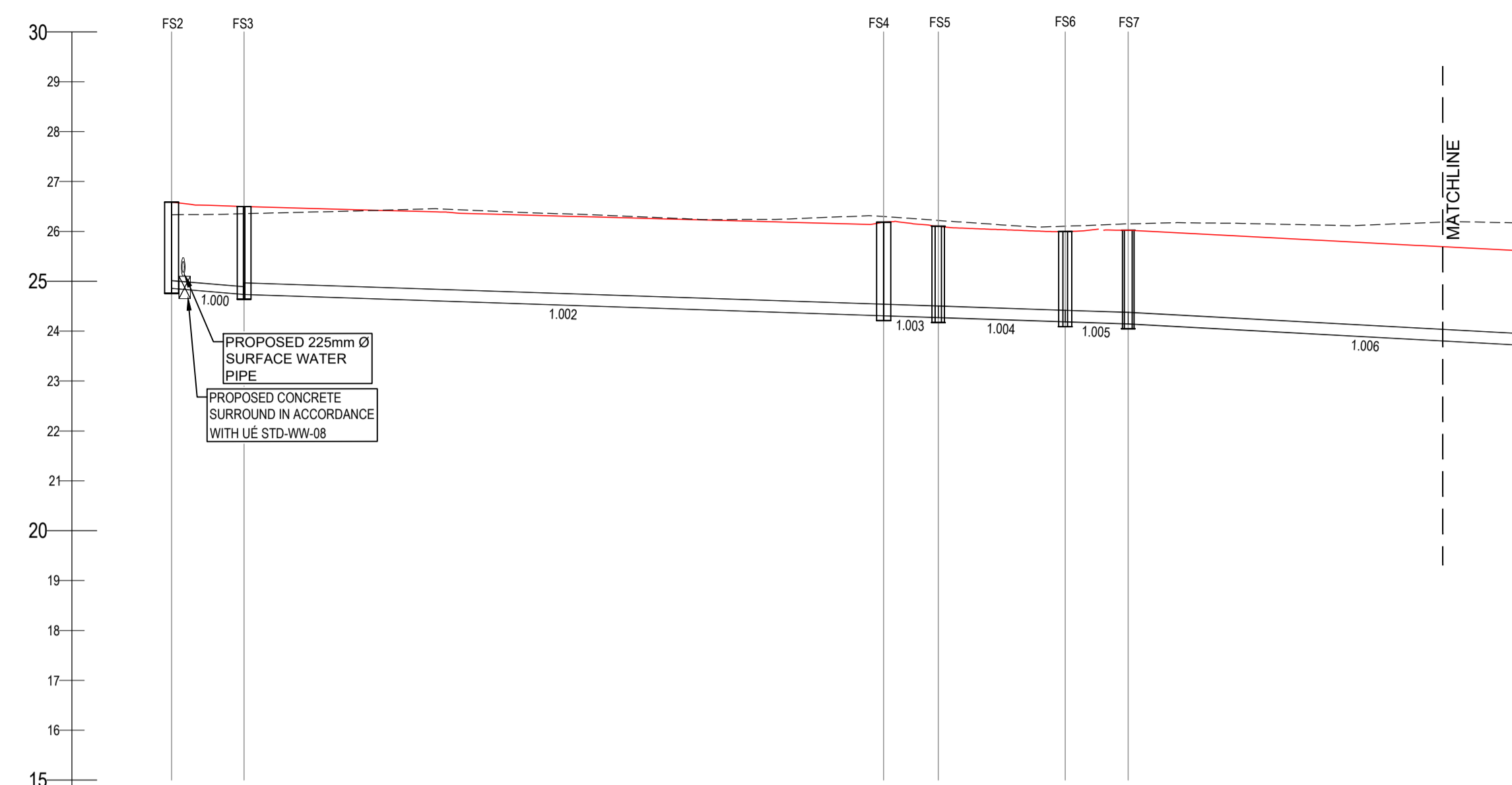
COVER LEVEL		26.000	26.000
INVERT LEVEL		25.000	24.860
DEPTH (m)		1.400	1.179
DISTANCE (m)		20.06	
PIPE SLOPE		1:46	
PIPE SIZE		150mm	

FS1 - FS2 LONGITUDINAL SECTION  
SCALE: H 1:500,V 1:100. DATUM: 20.000

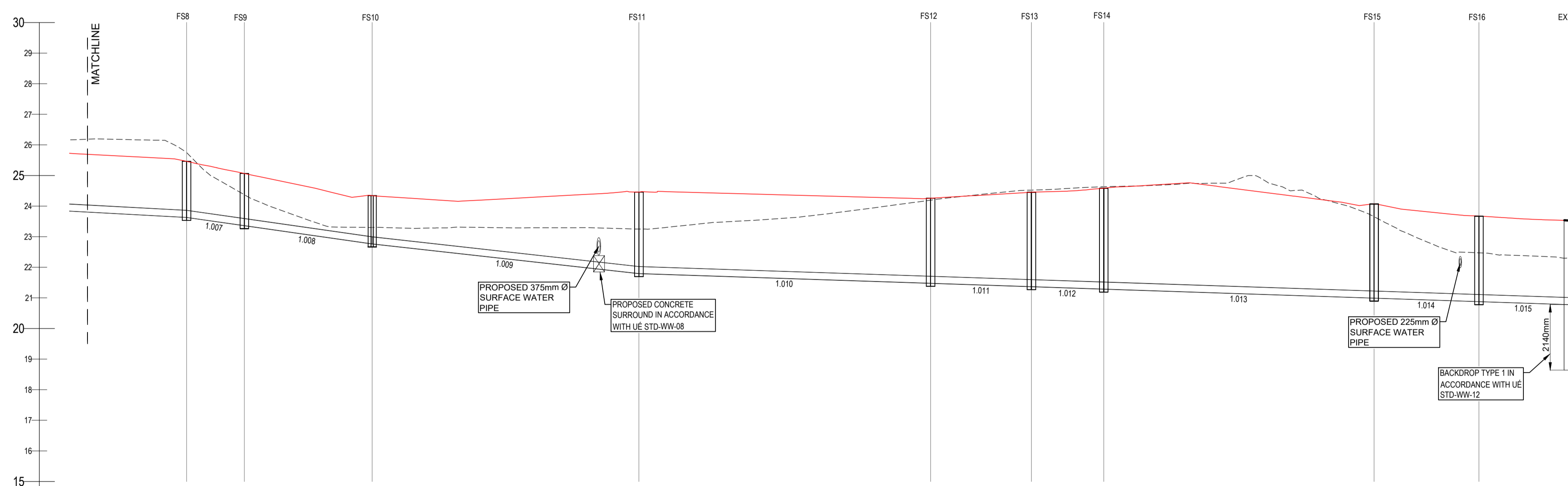


COVER LEVEL		26.000	26.000
INVERT LEVEL		25.258	24.860
DEPTH (m)		1.400	1.179
DISTANCE (m)		20.38	
PIPE SLOPE		1:47	
PIPE SIZE		150mm	

FS2.1 - F2 LONGITUDINAL SECTION  
SCALE: H 1:500,V 1:100. DATUM: 20.000

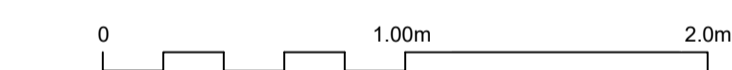


COVER LEVEL		26.000	26.497	26.184	26.103	25.999	26.023
INVERT LEVEL		24.860	24.739	24.311	24.275	24.190	24.148
DEPTH (m)		1.729	1.768	1.873	1.828	1.809	1.875
DISTANCE (m)		7.26	64.09	5.47	12.73	6.30	47.72
PIPE SLOPE		1:60	1:150	1:150	1:150	1:150	1:93
PIPE SIZE		150mm	225mm	225mm	225mm	225mm	225mm



COVER LEVEL		26.462	26.065	24.340	24.468	24.267	24.454	24.584	24.920	24.873	23.825
INVERT LEVEL		23.632	23.380	22.706	21.706	21.479	21.389	21.290	20.906	20.881	20.384
DEPTH (m)		1.829	1.702	1.574	2.862	2.778	3.065	3.294	3.972	2.791	4.186
DISTANCE (m)		9.43	20.88	43.56	47.63	16.47	11.82	44.14	17.13	14.61	
PIPE SLOPE		1:35	1:35	1:45	1:150	1:150	1:150	1:150	1:150	1:150	
PIPE SIZE		225mm	225mm	225mm	225mm	225mm	225mm	225mm	225mm	225mm	

FS2 - EX-FS1 LONGITUDINAL SECTION  
SCALE: H 1:500,V 1:100. DATUM: 15.000



REV	DATE	DESCRIPTION	BY	CHKD	AUTH
P04	01.08.25	ISSUED FOR PLANNING			
P03	09.04.25	ISSUED FOR UE DESIGN VETTING			
P02	09.04.25	ISSUED FOR SECTION 326 SUBMISSION			
P01	28.03.25	ISSUED FOR INFORMATION			

**OSL-BUTLER**  
CONSULTING ENGINEERS

Civil, Structural & Project Engineering Services  
Unit 38 Eastgate Drive, Little Island, Cork T45 Y049  
Tel: +353 21 4297672

CLIENT  
**HOMELAND PROJECTS LTD.**

PROJECT  
**LARGE-SCALE RESIDENTIAL DEVELOPMENT AT ROSS ROAD, KILLARNEY, CO. KERRY**

TITLE  
**PROPOSED FOUL SEWER LONGITUDINAL SECTIONS - SHEET 1**

PURPOSE  
**FOR PLANNING**

ORIGINAL SCALE  
**A1 - AS SHOWN**

ORIGINAL ISSUE DATE  
**27.02.25**

STATUS	DRAWING NO	REV
<b>S2</b>	<b>24041-OSL-11-DR-C-1131</b>	<b>P04</b>