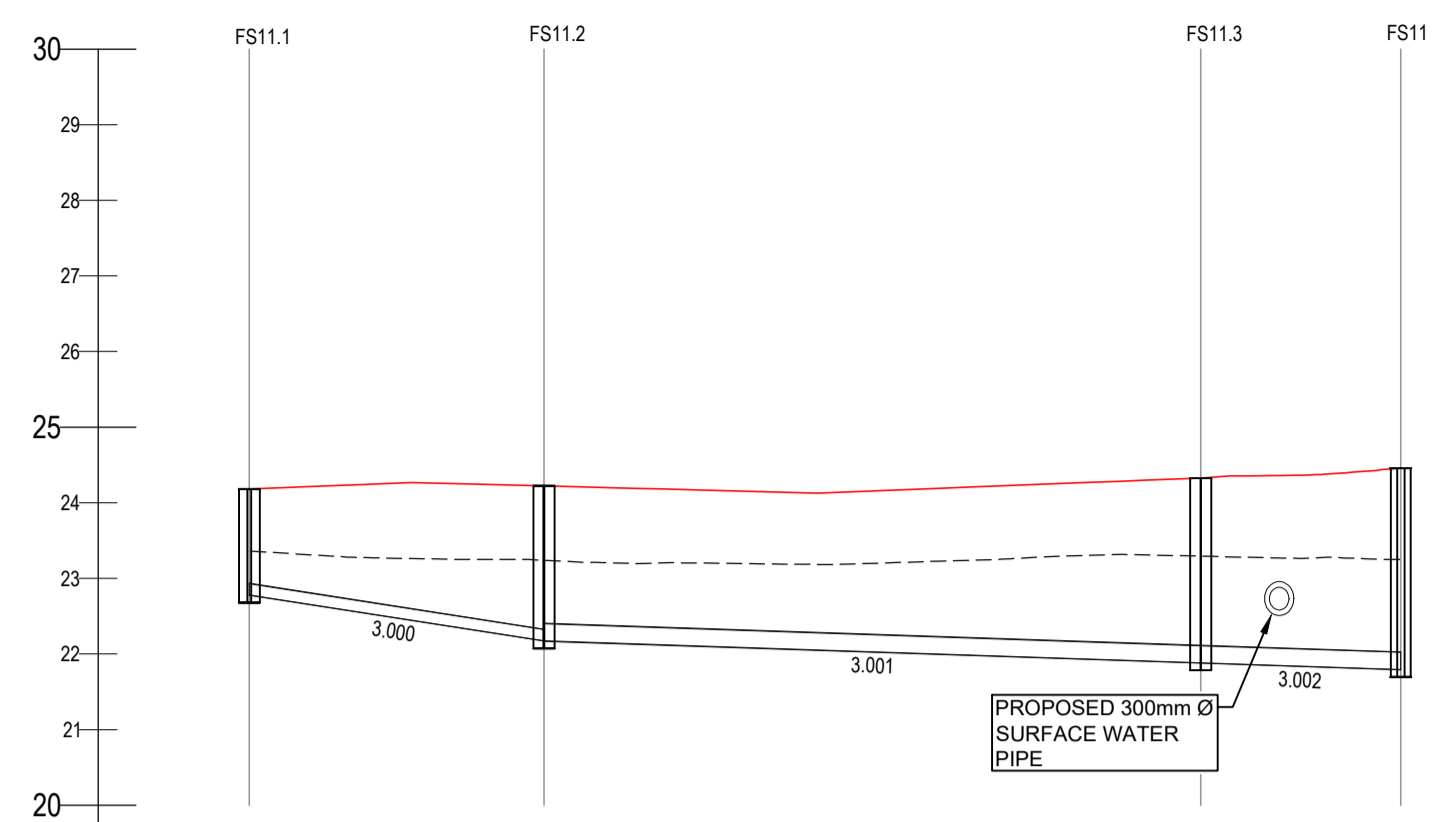


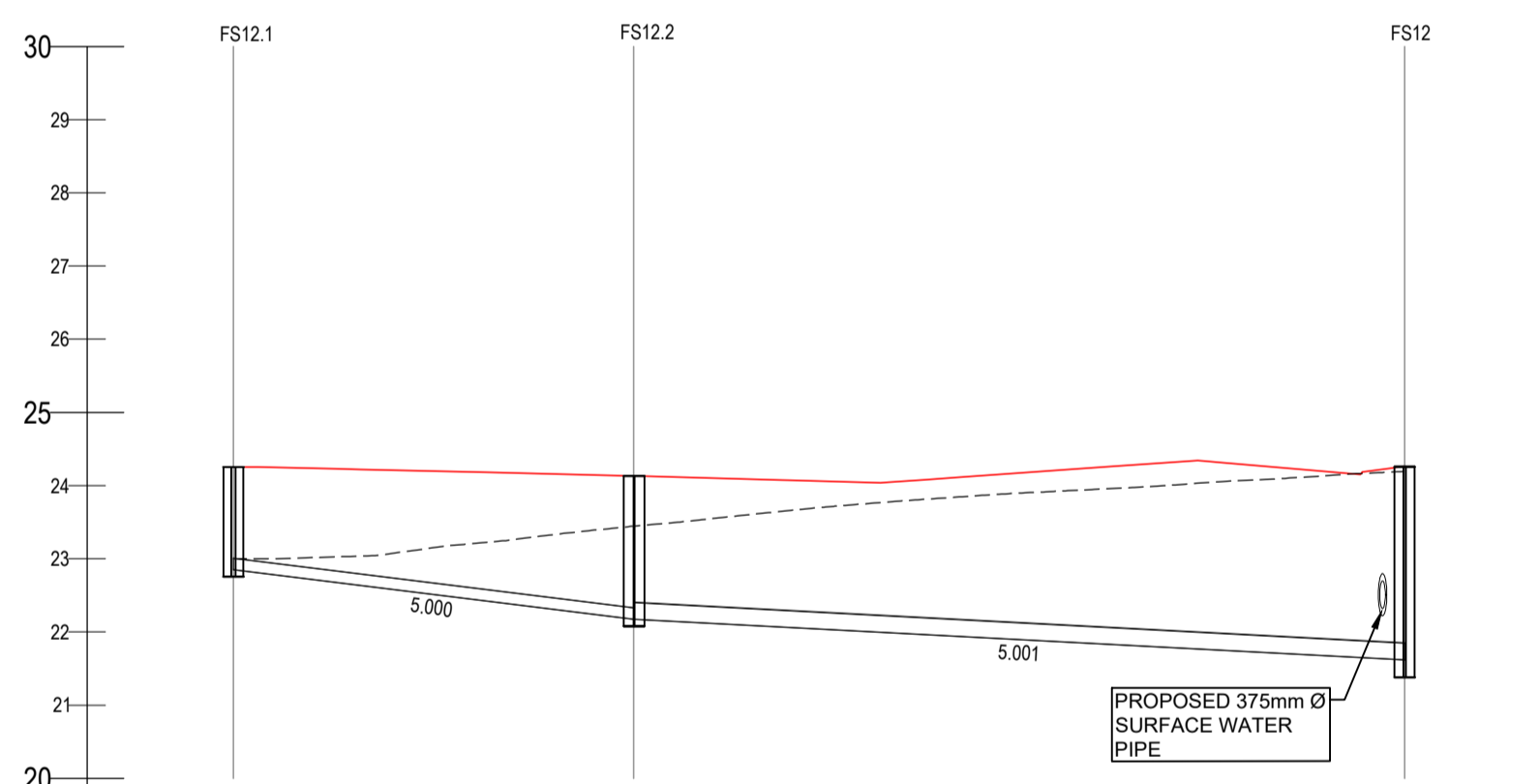
COVER LEVEL		24.605		24.223
INVERT LEVEL		23.205		22.174
DEPTH (m)		1.400		2.049
DISTANCE (m)			87.56	
PIPE SLOPE			1.85	
PIPE SIZE			225mm	

F11.2.1 - F11.2 LONGITUDINAL SECTION
SCALE: H 1:500, V 1:100. DATUM: 20.000



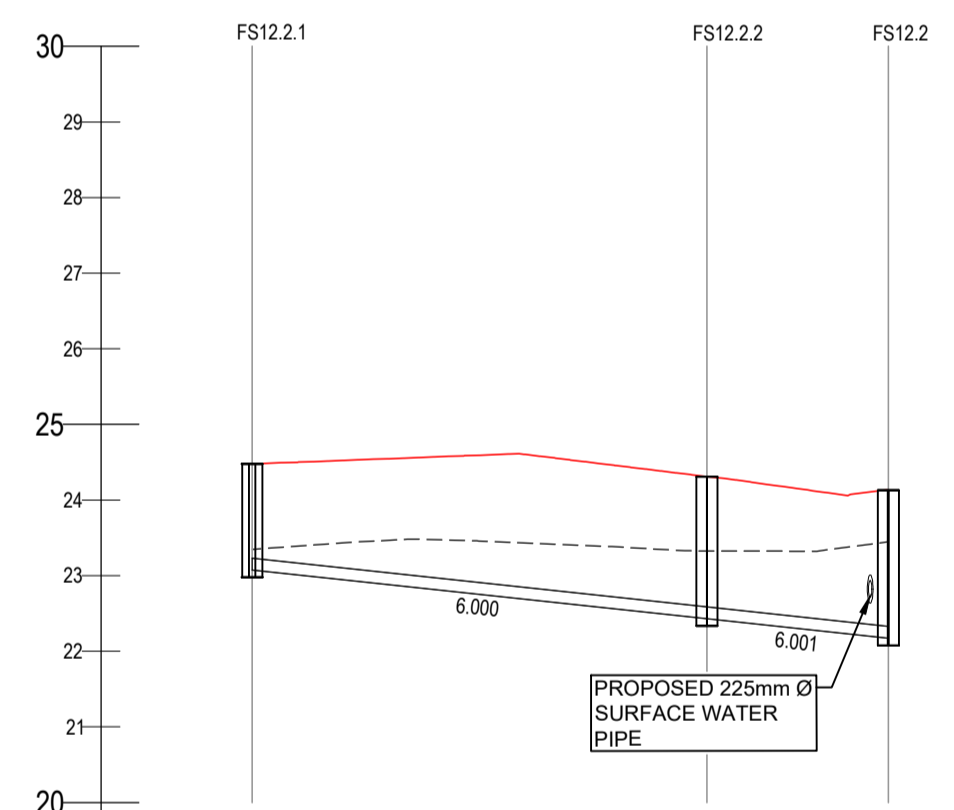
COVER LEVEL		24.180		24.223		24.328		24.468
INVERT LEVEL		22.780		22.174		21.884		21.796
DEPTH (m)		1.400		2.049		2.443		2.682
DISTANCE (m)			19.48		43.44		13.23	
PIPE SLOPE			1.32		1:150		1:150	
PIPE SIZE			150mm		225mm		225mm	

F11.1 - F11 LONGITUDINAL SECTION
SCALE: H 1:500, V 1:100. DATUM: 20.000



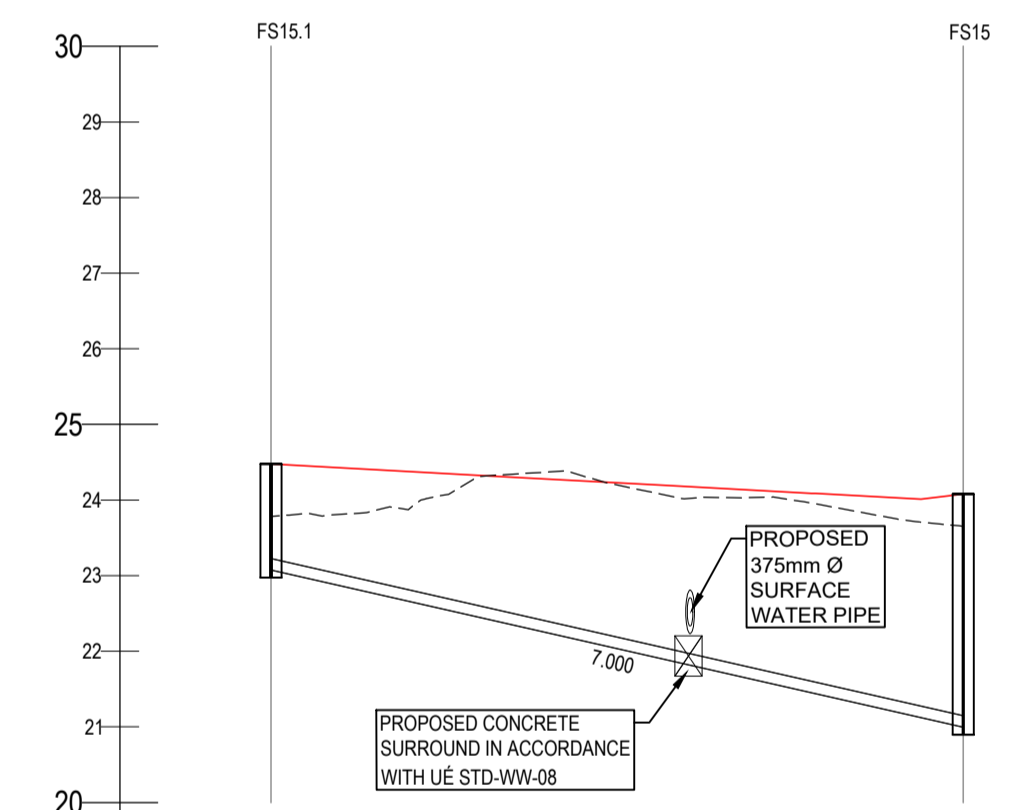
COVER LEVEL		24.294		24.132		24.297
INVERT LEVEL		22.854		22.176		21.827
DEPTH (m)		1.400		1.956		2.778
DISTANCE (m)			27.38		52.64	
PIPE SLOPE			1.40		1.95	
PIPE SIZE			150mm		225mm	

F12.1 - F12 LONGITUDINAL SECTION
SCALE: H 1:500, V 1:100. DATUM: 20.000



COVER LEVEL		24.477		24.309		24.132
INVERT LEVEL		23.077		22.433		22.176
DEPTH (m)		1.400		1.876		1.956
DISTANCE (m)			30.07		12.00	
PIPE SLOPE			1.47		1.47	
PIPE SIZE			150mm		150mm	

F12.2.1 - F12.2 LONGITUDINAL SECTION
SCALE: H 1:500, V 1:100. DATUM: 20.000



COVER LEVEL		24.475		24.000
INVERT LEVEL		23.075		20.995
DEPTH (m)		1.400		3.072
DISTANCE (m)			45.78	
PIPE SLOPE			1:22	
PIPE SIZE			150mm	

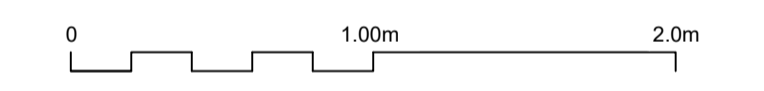
F15.1 - F15 LONGITUDINAL SECTION
SCALE: H 1:500, V 1:100. DATUM: 20.000

- GENERAL NOTES:**
1. ALL DIMENSIONS ARE IN METERS UNLESS NOTED OTHERWISE.
 2. ALL LEVELS ARE TO MALIN HEAD DATUM.
 3. ONLY WRITTEN DIMENSIONS SHALL BE USED. NO DIMENSIONS SHALL BE SCALED FROM THE DRAWINGS.
 4. CONTRACTOR TO CHECK ALL DIMENSIONS ON SITE.
 5. ALL COORDINATES ARE TO IRISH TRANSVERSE MERCATOR
 6. ALL DRAWINGS ARE TO BE READ IN CONJUNCTION WITH THE PROJECT SPECIFICATIONS.
 7. COPYRIGHT OSL.

- LONGITUDINAL SECTION NOTES:**
1. FOR FOUL SEWER LAYOUT PLANS, REFER TO DRAWING 24041-OSL-11-DR-C-1130

LEGEND:

— PROPOSED ROAD LEVEL
- - - EXISTING GROUND LEVEL



REV	DATE	DESCRIPTION	BY	CHKD	AUTH
P04	01.08.25	ISSUED FOR PLANNING			
P03	09.04.25	ISSUED FOR UE DESIGN VETTING			
P02	09.04.25	ISSUED FOR SECTION 32B SUBMISSION			
P01	28.03.25	ISSUED FOR INFORMATION			

OSL-BUTLER
CONSULTING ENGINEERS

Civil, Structural & Project Engineering Services
Unit 38 Eastgate Drive, Little Island, Cork T45 Y049
Tel: +353 21 4297672

CLIENT: HOMELAND PROJECTS LTD.

PROJECT: LARGE-SCALE RESIDENTIAL DEVELOPMENT AT ROSS ROAD, KILLARNEY, CO. KERRY

TITLE: PROPOSED FOUL SEWER LONGITUDINAL SECTIONS - SHEET 2

PURPOSE: FOR PLANNING

ORIGINAL SCALE: A1 - AS SHOWN
ORIGINAL ISSUE DATE: 27.02.25

STATUS	DRAWING NO	REV
S2	24041-OSL-11-DR-C-1132	P04